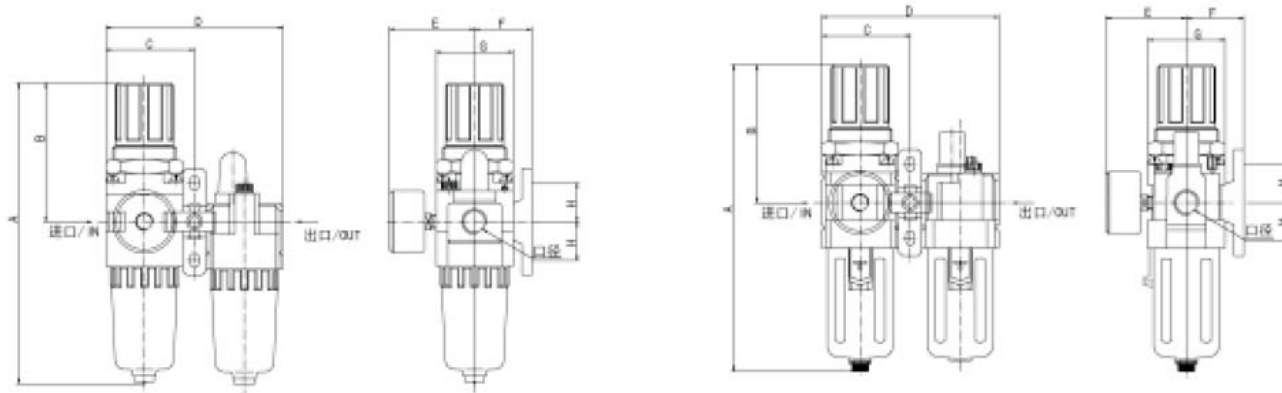


## 外形尺寸 / Overall Dimension

TYPE:JAC1010 & JAC5010



## 尺寸表 / Dimension Sheet

型号 / Model	口径 / Bore	A	B	C	D	E	F	G	H
JAC1010	M5	109.5	50.5	29	58	26	25	25	20
JAC2010	1/8 - 1/4	164.5	78	45	90	56.8	30	40	24
JAC3010	1/4 - 3/8	211	92.5	58.5	117	60.8	41	53	35
JAC4010	3/8 - 1/2	262	112	77	154	70.5	41	70	40
JAC4010-06	3/4	267	114	82	164	70.5	50	70	40
JAC5010	3/4 - 1	338	116	97.5	195	75.5	69.8	90	50